

1-1478201-0 ✓ ACTIVE



TE Internal #: 1-1478201-0

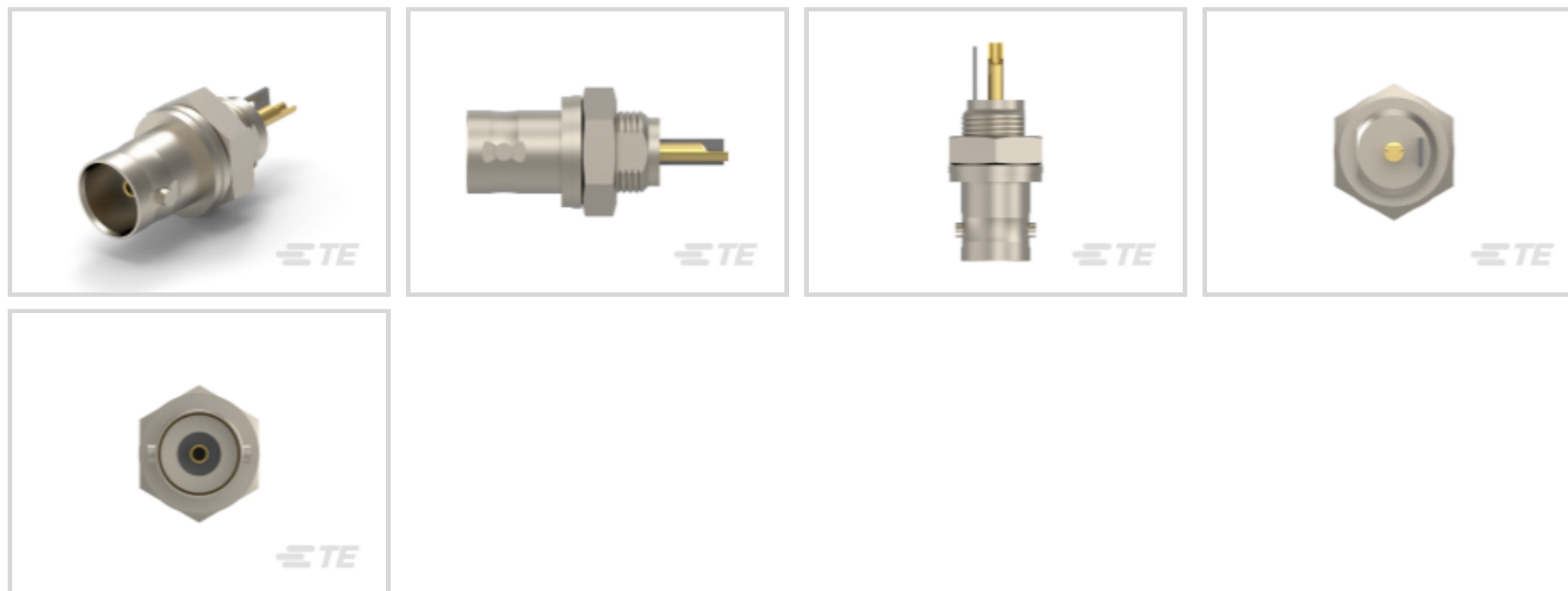
RF Connectors, BNC RF Interface, Jack, 75 Ω , Bayonet, 2 GHz

Operating Frequency, Cable-to-Panel, 1 Position, Panel Mount, -40

- 60 $^{\circ}\text{C}$ [-40 - 140 $^{\circ}\text{F}$]

[View on TE.com >](#)

Connectors > RF Coax Connectors > RF Connectors



RF Interface: **BNC**

RF Connector Style: **Jack**

RF Connector Mated Outer Diameter (Approximate): **14.53 mm [.572 in]**

Impedance: **75 Ω**

RF Connector Coupling Mechanism: **Bayonet**

Features

Product Type Features

RF Interface	BNC
RF Connector Style	Jack
Connector System	Cable-to-Panel
Sealable	No

Configuration Features

Number of Positions	1
Number of Coaxial Contacts	1

Electrical Characteristics

Impedance	75 Ω
-----------	-------------

Body Features

Body Material	Brass
Body Plating Material	Nickel

Contact Features

RF Connector Center Contact Plating Material	Silver
--	--------

RF Connector Center Contact Material	Brass
--------------------------------------	-------

Termination Features

Termination Method to Wire & Cable	Solder Terminal
------------------------------------	-----------------

Mechanical Attachment

Panel Attachment Style	Front Mount
------------------------	-------------

Panel Mount Feature Type	Hex Nut
--------------------------	---------

RF Connector Coupling Mechanism	Bayonet
---------------------------------	---------

Connector Mounting Type	Panel Mount
-------------------------	-------------

RF Contact Captivation Method	Solder
-------------------------------	--------

Detent	With
--------	------

Housing Features

Housing Color	White
---------------	-------

Dimensions

Panel Thickness (Recommended)	1.52 – 3.2 mm [.062 – .126 in]
-------------------------------	--------------------------------

RF Connector Mated Outer Diameter (Approximate)	14.53 mm [.572 in]
---	--------------------

Usage Conditions

Insulation Option	Uninsulated
-------------------	-------------

Operating Temperature Range	-40 – 60 °C [-40 – 140 °F]
-----------------------------	----------------------------

Operation/Application

Operating Frequency	2 GHz
---------------------	-------

Packaging Features

Packaging Quantity	50
--------------------	----

Packaging Method	Box
------------------	-----

Other

Lockwasher Material	Mild Steel
---------------------	------------

Coupling Nut Base Material	Brass
----------------------------	-------

Grade	Professional
-------	--------------

Dielectric Material	ABS
---------------------	-----

Product Compliance

[For compliance documentation, visit the product page on TE.com>](#)

EU RoHS Directive 2011/65/EU	Compliant with Exemptions
------------------------------	---------------------------

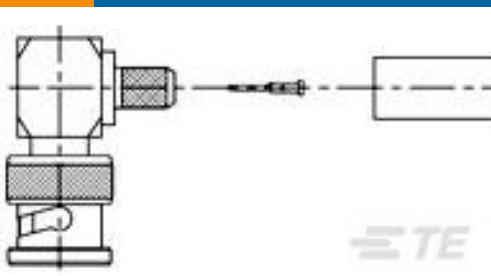


EU ELV Directive 2000/53/EC	Compliant with Exemptions
China RoHS 2 Directive MIIT Order No 32, 2016	Restricted Materials Above Threshold
EU REACH Regulation (EC) No. 1907/2006	Current ECHA Candidate List: JUNE 2022 (224) Candidate List Declared Against: JUNE 2022 (224) SVHC > Threshold: Pb (3.52% in Component Part) Article Safe Usage Statements: Do not eat, drink or smoke when using this product. Wash thoroughly after handling. Recycle if possible and dispose of the article by following all applicable governmental regulations relevant to your geographic location.
Halogen Content	Not Low Halogen - contains Br or Cl > 900 ppm.
Solder Process Capability	Wave solder capable to 265°C

Product Compliance Disclaimer

This information is provided based on reasonable inquiry of our suppliers and represents our current actual knowledge based on the information they provided. This information is subject to change. The part numbers that TE has identified as EU RoHS compliant have a maximum concentration of 0.1% by weight in homogenous materials for lead, hexavalent chromium, mercury, PBB, PBDE, DBP, BBP, DEHP, DIBP, and 0.01% for cadmium, or qualify for an exemption to these limits as defined in the Annexes of Directive 2011/65/EU (RoHS2). Finished electrical and electronic equipment products will be CE marked as required by Directive 2011/65/EU. Components may not be CE marked. Additionally, the part numbers that TE has identified as EU ELV compliant have a maximum concentration of 0.1% by weight in homogenous materials for lead, hexavalent chromium, and mercury, and 0.01% for cadmium, or qualify for an exemption to these limits as defined in the Annexes of Directive 2000/53/EC (ELV). Regarding the REACH Regulation, the information TE provides on SVHC in articles for this part number is based on the latest European Chemicals Agency (ECHA) 'Guidance on requirements for substances in articles' posted at this URL: <https://echa.europa.eu/guidance-documents/guidance-on-reach>

Compatible Parts



TE Part # 1-1337440-0
BNC R/A Plg Hex 75Ohm Silver Pltd
RG179B



TE Part # 1-1337438-0
BNC R/A Plg Hex 75Ohm Silver Pltd
RG59B/



TE Part # 1-1478162-0
BNC Str Plg MC 75Ohm Silver Pltd
URM70



TE Part # 134959-1
BNC PLUG 75 OHM STR



TE Part # 5225395-1
BNC PLUG DUAL CRIMP RG58,A,B,C



TE Part # 5227079-5
COMM BNC PLUG



TE Part # 5221128-1
PLUG,COMMERCIAL BNC



Documents

Product Drawings

[BNC Ins BHSkt 75Ohm Nickel Silver Pltd](#)

English

CAD Files

[3D PDF](#)

3D

Customer View Model

[ENG_CVM_CVM_1-1478201-0_C.2d_dxf.zip](#)

English

Customer View Model

[ENG_CVM_CVM_1-1478201-0_C.3d_igs.zip](#)

English

Customer View Model

[ENG_CVM_CVM_1-1478201-0_C.3d_stp.zip](#)

English

By downloading the CAD file I accept and agree to the [Terms and Conditions](#) of use.

Datasheets & Catalog Pages

[1307191 RF Coax Products Catalog](#)

English